

# Parkhilfe/Radstop 'Wheel Stop'

## PRODUCT SPECIFICATIONS

### APPLICATION

Environment	The Wheel Stop is designed to be installed in parking spaces. The yellow top edge gives optimal visibility. The rear side is designed to pull vehicles back when override. Very robust solution.
Operational temperature	-50°C up to +60°C



### MATERIAL

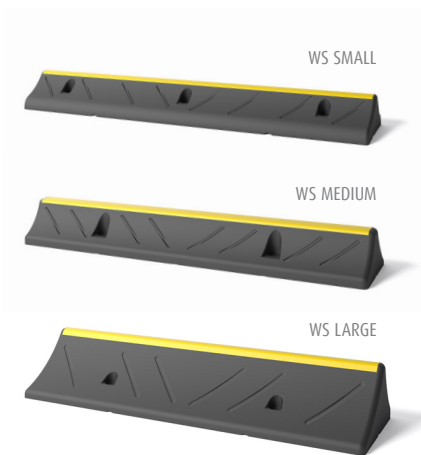
composition	100% made from recycled tyres.
Exposure to light	UV resistant

### STANDARD COLORS

Black with yellow highlight line.

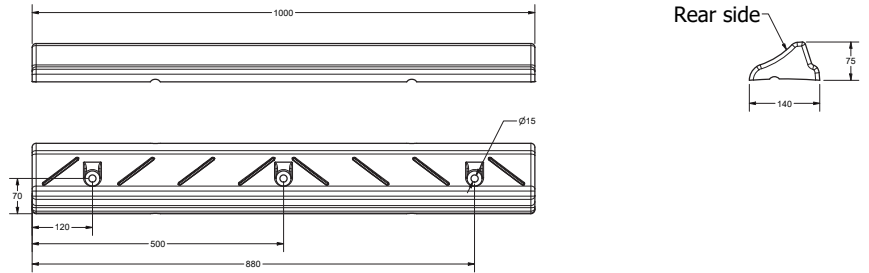
### SIZE AND PROPERTIES

	SMALL	MEDIUM	LARGE
Dimensions	Width: 1000 mm Depth: 140 mm Height: 75 mm	Width: 1000 mm Depth: 225 mm Height: 120 mm	Width: 1000 mm Depth: 300 mm Height: 150 mm
Weight	7.2 kg	15 kg	25 kg
Number of fixations	3 pcs	5 pcs	5 pcs
Type of fixation	Screw bolt and plug Inox A2 Ø10 mm - Length = 120 mm Drill hole Ø plug = 14 mm Sw: 17 mm 	Concrete screw Zinc coated Ø17 mm - Length = 135 mm Drill hole Ø screw = 14 mm Sw: 19 mm 	
Maximum weight of vehicle	5 ton	25 ton	40 ton

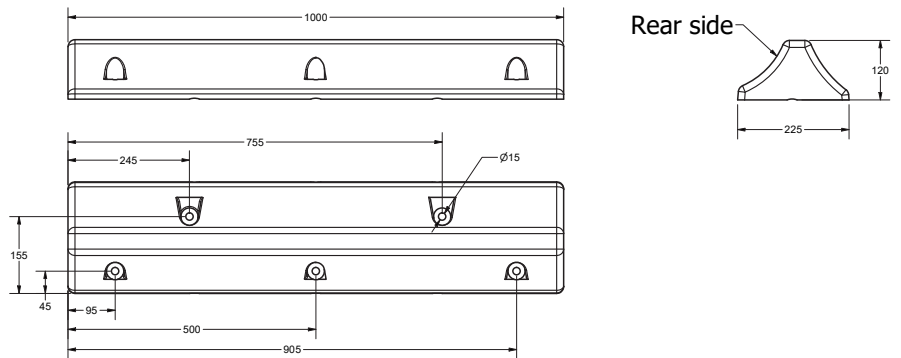


REFERENCE LIST - WHEEL STOP

Wheel Stop S  
1000x140x75mm  
(3 fixations) - BL



Wheel Stop M  
1000x200x110mm  
(5 fixations) - BL



Wheel Stop L  
1000x300x150mm  
(5 fixations) - BL

