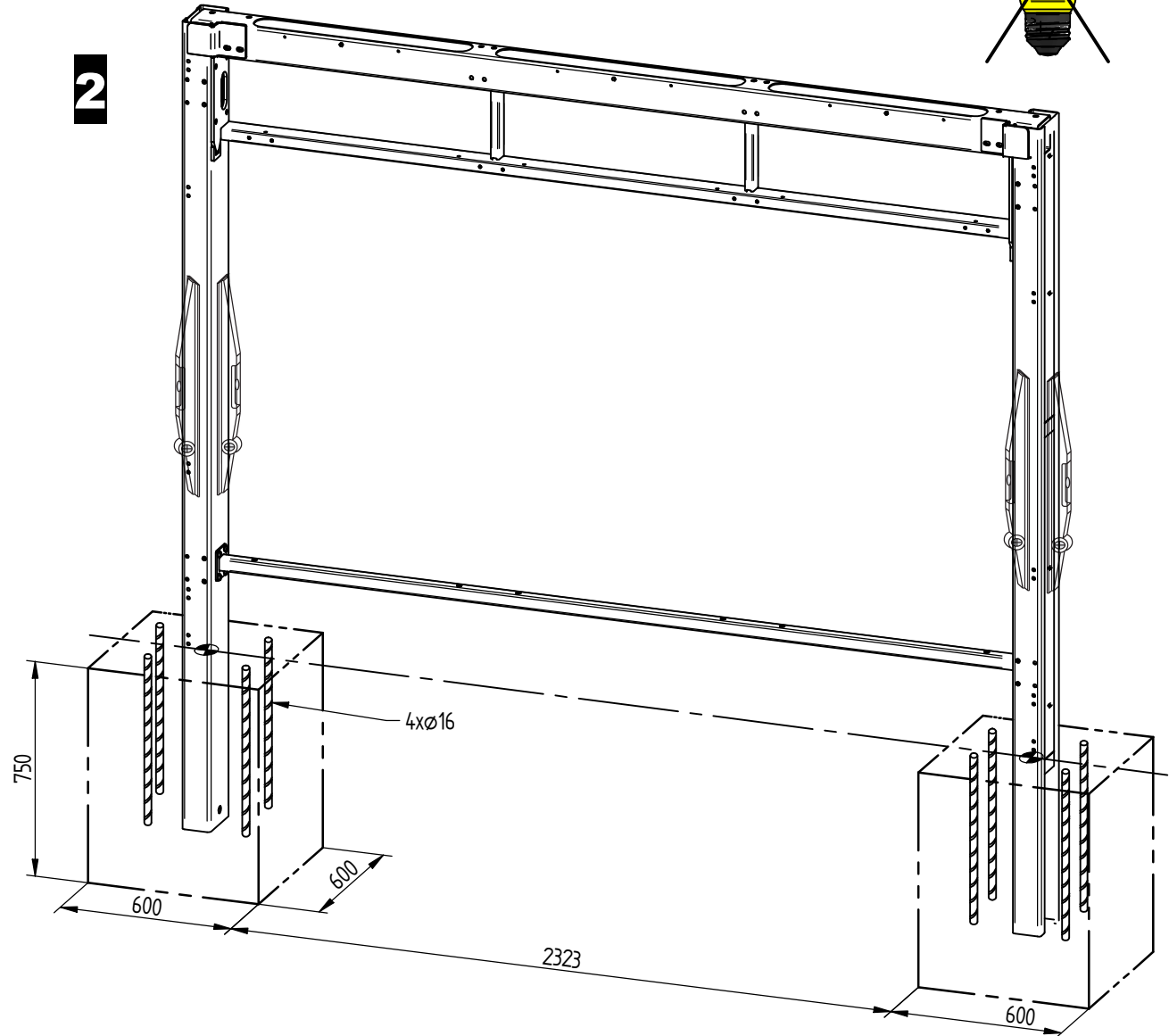
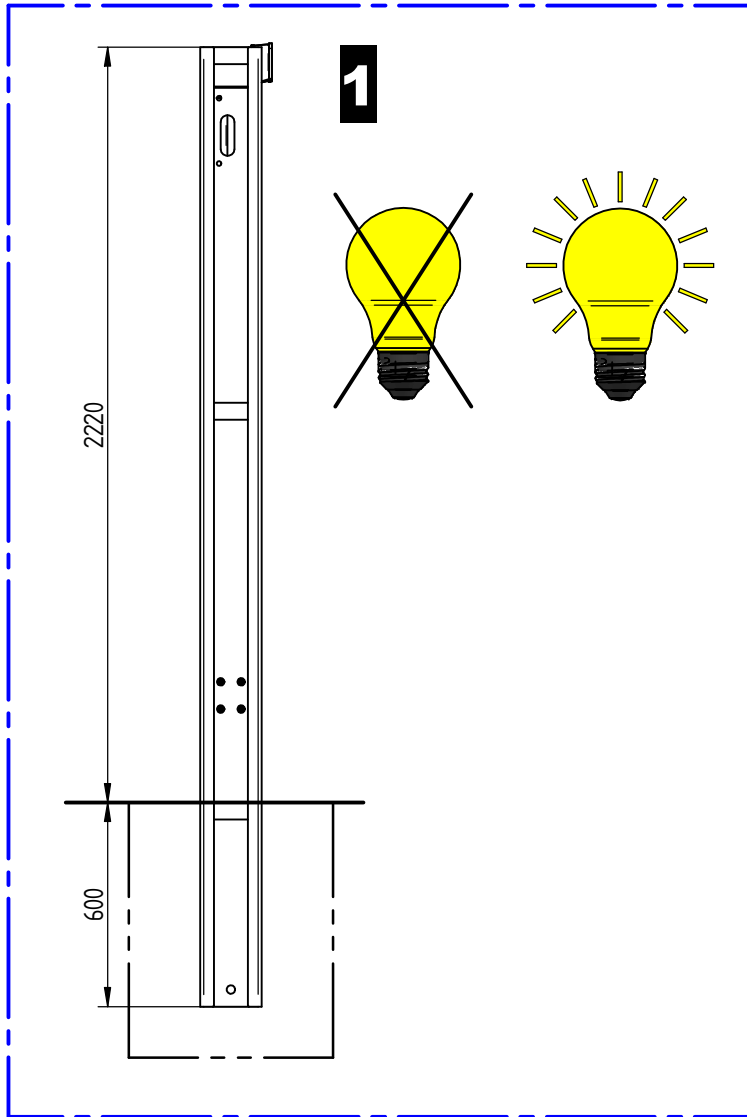
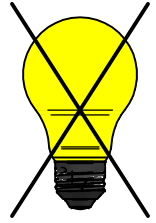


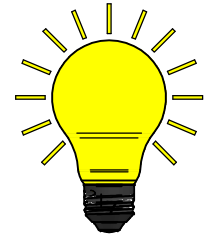
# Fundamentplan

Lg.2,5m



# Fundamentplan

Lg.2,5m



2

